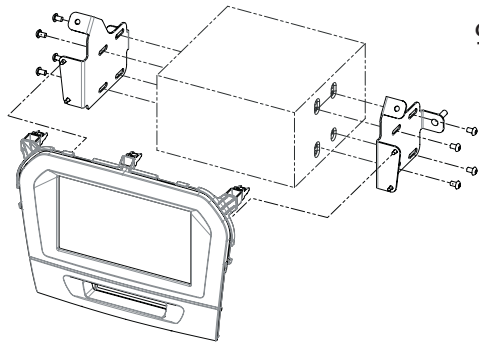


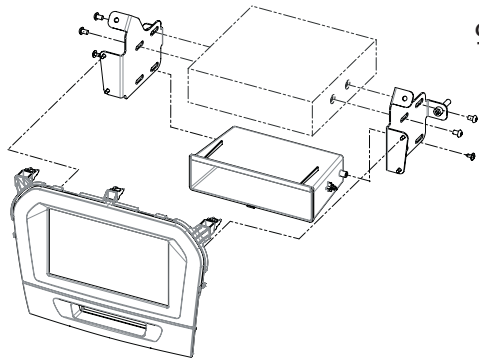


Installation Manual Double DIN Kit

piano-black: 381294-10-1



9. **2-DIN Install:**
Mount mounting brackets
to Double-DIN head unit
Mount facia plate to brackets



9. **1-DIN Install*:**
Mount mounting brackets
to 1-DIN head unit and pocket
Mount facia plate to brackets

**pocket included with
part-no. 281294-10-1 only*



10. Mount hazard light switch
and passenger airbag buttons
to facia plate

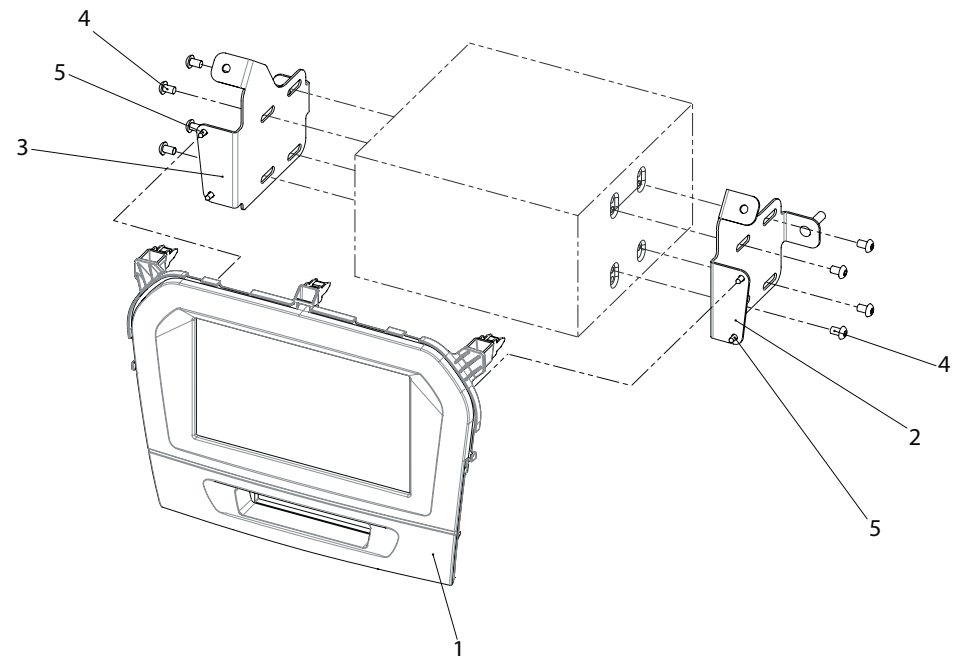


4. Connect all required circuit
points. Mount Double-DIN head
unit on dash board and fix it.
Reinstall everything in reverse
order

• Suzuki Vitara (LY) 04/2015->

Compatible with these Double-DIN devices:

Double-DIN Navigation



Double DIN Set contents

- (1) Facia Plate
- (2) Mounting bracket right
- (3) Mounting bracket left
- (4) flat headed screw
- (5) self-tapping screw with collar



1. Suzuki Vitara dash board with OEM head unit



2. Unclip center panel



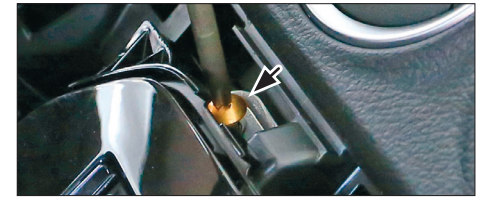
3. Remove center panel



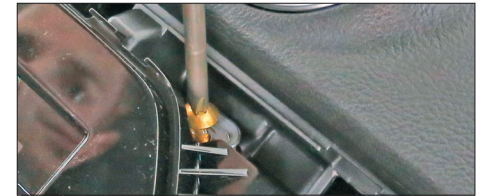
4. Suzuki Vitara dash board after removing center panel



5. Remove screws of OEM head unit left and right side



6. Remove screws of OEM head unit left and right side



7. Remove OEM head unit by pulling it toward your direction



8. Remove hazard light switch and Passenger Airbag buttons from OEM bezel